



# KHK SCAFFOLDING & FORMWORK



Established in 1991, KHK Scaffolding & Formwork LLC has become the leading manufacturer and supplier of scaffolding and formwork systems. Relying on top quality and high credit standing, our scaffolding products and solutions have won high praise from customers around the world.

KHK Scaffolding & Formwork LLC is a subsidiary of Taurani Holdings Ltd, Dubai that has been recognized as one of the most successful conglomerates in United Arab Emirates. The company covers an area of 1,00,000 sqm, efficient 1,200 employees and is equipped with most advanced machinery and equipment to manufacture various types of scaffolding and formwork systems as per customers' designs or samples.

Over 32 years, our products have been exported to more than 50 countries mainly in GCC, Middle East, Europe, America, Asia and Australia. We don't only manufacture and sell world-class products, but also provide design skills and technical advice that helps contractors build their projects in the most secure and economical way. We are always engaged in developing new product line and improving customer service to meet changing demands from different markets. Established in 1991, KHK Scaffolding & Formwork LLC has become the leading manufacturer and supplier of scaffolding and formwork systems. Relying on top quality and high credit standing, our scaffolding products and solutions have won high praise from customers around the world.

**120,000 Tons/ Year**  
Total Production Capacity

**50,000 Tons/ Year**  
Scaffolding and Formwork

**72,000 Tons/ Year**  
Pipe and Tube Production



K-Ring  
Access Scaffold



K-Lock Slab  
Formwork



K-Lock  
Access



K-Stage Slab  
& Access



Frames, Tubes  
& Props



Wall  
Formwork



EN  
Props





# PLANT AND MACHINERY

---



COIL YARD



3 SLITTING LINES



3 TUBE MILLS



EXTRUSION PLANT



MS TUBE HOT DIP  
GALVANISING



SCAFFOLDING HOT DIP  
GALVANISING

---



AUTOMATIC ELECTRO PLATING



PAINTING LINES



POWDER COATING



ROBOTIC WELDING

## MACHINE SHOP



Plate Laser Cutting Machine



Tube Laser Cutting Machine



Blade Grinding Machine





**Multi Head Automatic Cutting Machine**



**Machine For K-Stage Ledger End**



**CNC Lathe Machine**



**4 Axis CNC Gantry Type  
Profile Machining Centre**



**KStage Banana Angle Steel Machine**



**Auto Tube Punching Unit**



**Kstage Standard Welding Robotic Work Station**



**4 Axis CNC Profile Machining & Cutting Center**

# SCAFFOLDING & FORMWORK SYSTEMS



## K-RING ACCESS SCAFFOLD

It is modular scaffolding with wedge fixing for all access scaffold requirements. It enables to set up, use and undo work structure with ease, speed and efficiency.

- Ledger
- Double Ledgers
- Lattice Girders
- Steel Plank
- Side Brackets
- Stairways
- Diagonal Braces
- Trussed Ledgers
- Screw Jack
- Aluminum Deck
- Ladders



## K-LOCK SLAB FORMWORK

It comprises of all steel components of CUP LOCK scaffolding systems. It is widely used in the Middle East, Europe and Africa for user-friendly operation, erection and dis-assembling.

- Standard
- Swivel Face Brace
- Omega Transoms
- Ladder Couplers
- Inside Board Transoms
- Return Device
- Closed End Batten
- Stair Access



## K-LOCK ACCESS

It is a multi-purpose scaffolding system for general access. The unique circular node point allows up to 4 components to be connected in one fastening action.

- Standard
- Drop Head
- Decking Beams
- Decking & Support
- Aluminum Slab System







### K- STAGE SLAB & ACCESS

It replaces the primary and secondary timber in Soffit Support and provides a flat support grid for steel Decking & Infill beams with Plywood. It is simple, speedy and reduces the labour.

- Ledgers Transom
- Coupler Brace
- Cantilever Beam Frame
- Toe Broad Bracket
- Steel Batten
- Bridging Ledger 16,24
- Drop Head
- Base Jack
- Ladder
- Return Transom



### TUBES

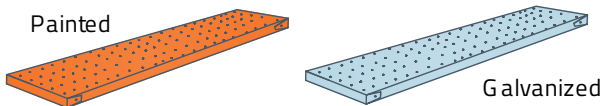
In accordance with BS 1139 and EN 10219, we manufacture over 96,000 MT of MS tubes/year ranging from 1/2" to 6" using the highest quality Hot Rolled Coils.

- Round
- Square
- Rectangular



### K-LOCK CLOSED END BATTEN:

The steel batten spans between the transoms giving a non slip level surface.



### LADDER BEAMS



### COUPLERS



Double Coupler  
(Forged Type)



Sleeve  
Coupler



Joint  
Pin



Swivel Coupler  
(Forged Type)



# SCAFFOLDING & FORMWORK SYSTEMS

---



## PROPS

In accordance with BS 4074 : 1982 and BS 5507: Part 3: 1982, we specialize in manufacture of BS Props, Trench Struts and Heavy & Light Duty Props in high quality material in Painted/ Galvanized finish for site wear and tear resistance.

- British Standard
- Trench Struts
- Light & Medium Duty
- Korean(3.9M)



## WALL FORMWORK

Its extremely low weight, simple handling and minimal use of system components makes it most sought-after by building contractors and infrastructure developers. We manufacture and supply 20,000MT of Wall Formwork every year.

- Standard Mark-II
- Access And Levelling Of The System
- Fixing Waling & Lifting System
- Height Adjustment & Supporting System
- Right Angle Wall Form System Corner Soldier
- Steel Waling & Aluminum Beams System Components
- Wall Form Single Sided Shutter Components
- Steel Waler & Aluminum Beam System
- Column Formwork Steel Soldier & Aluminum Beam System
- Column Formwork Steel Waler & Aluminum Beam System
- Climbing Bracket
- Sliding Unit Of Climbing Bracket
- Climbing Formwork
- Circular Formwork



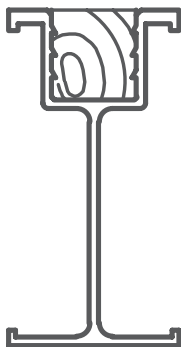


## EN PROPS

- En 1065 Props
- Sleeve, Pin & Prop Nut With Handle
- Twin Beam (With Timber Insert)
- K6 Aluminum Beam (With Plastic Insert)
- K6 X Aluminum Beam (With Plastic Insert)
- En Props Tripod
- 4 Way Fork Hed For En-Props

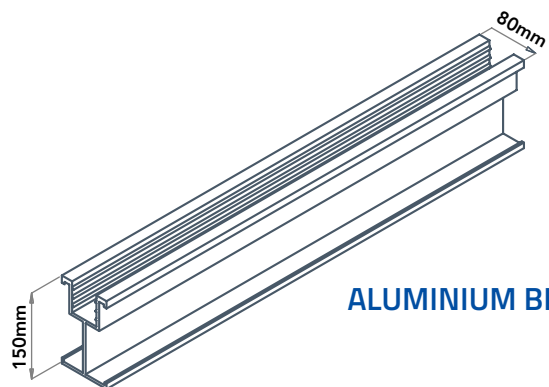


## ALUMINUM PROFILES



### K 6 BEAM

Bending Moment exceeds 6 KN-M  
 Size: 150 x 80MM  
 Weight: Only 3.162Kg/M



### ALUMINIUM BEAM